

Europäisches Patentamt  
European Patent Office  
Office européen des brevets



(11) **EP 0 935 872 B1**

(12) **EUROPEAN PATENT SPECIFICATION**

(45) Date of publication and mention  
of the grant of the patent:  
**21.11.2001 Bulletin 2001/47**

(21) Application number: **98936607.5**

(22) Date of filing: **17.08.1998**

(51) Int Cl.7: **H04N 1/00**

(86) International application number:  
**PCT/IB98/01253**

(87) International publication number:  
**WO 99/12331 (11.03.1999 Gazette 1999/10)**

(54) **WATERMARKING AN INFORMATION SIGNAL**

**ERZEUGUNG EINES WASSERZEICHENS IN EINEM INFORMATIONSSIGNAL**

**FORMATION D'UN SIGNAL D'INFORMATION SOUS FORME DE FILIGRANE**

(84) Designated Contracting States:  
**AT BE CH CY DE DK ES FI FR GB GR IE IT LI LU  
MC NL PT SE**  
Designated Extension States:  
**AL LT LV RO SI**

(30) Priority: **02.09.1997 EP 97202700**

(43) Date of publication of application:  
**18.08.1999 Bulletin 1999/33**

(73) Proprietors:  
• **Koninklijke Philips Electronics N.V.  
5621 BA Eindhoven (NL)**  
Designated Contracting States:  
**AT BE CH CY DE DK ES FI FR GB GR IE IT LI LU  
MC NL PT SE**  
• **PHILIPS AB  
164 85 Stockholm (SE)**  
Designated Contracting States:  
**SE**

(72) Inventor: **LINNARTZ, Johan, Paul, Marie, Gerard  
NL-5656 AA Eindhoven (NL)**

(74) Representative: **Schmitz, Herman Jan Renier et al  
INTERNATIONAAL OCTROOIBUREAU B.V.,  
Prof. Holstlaan 6  
5656 AA Eindhoven (NL)**

(56) References cited:  
**EP-A2- 0 766 468 EP-A2- 0 840 513**

- **IEEE WORKSHOP ON NONLINEAR SIGNAL AND  
IMAGE PROCESSING, June 1995, E. KOCH et al.,  
"Towards Robust and Hidden Image Copyright  
Labeling", pages 452-455.**

Note: Within nine months from the publication of the mention of the grant of the European patent, any person may give notice to the European Patent Office of opposition to the European patent granted. Notice of opposition shall be filed in a written reasoned statement. It shall not be deemed to have been filed until the opposition fee has been paid. (Art. 99(1) European Patent Convention).

**EP 0 935 872 B1**

## Description

### BACKGROUND OF THE INVENTION

[0001] Watermarks are perceptually invisible messages embedded in information signals such as multimedia material, e.g. audio, still pictures, animations or video. Watermarks can be used to identify the copyright ownership of information. They allow a copyright owner to trace illegal copies of his material by inspecting whether his watermark is present in said copies.

[0002] Watermarks are embedded in an information signal by modifying data samples of the signal (e.g. audio samples of an audio signal, pixels of an image, transform coefficients of a transform-coded signal, etc.) such that the original is not perceptibly affected. Various methods of watermarking are known in the art. For example, pixels of an original image are slightly incremented or decremented in accordance with corresponding bits of a binary watermark pattern.

[0003] In order to detect whether an information signal has an embedded watermark, the signal is subjected to a statistical analysis. The statistical analysis yields a parameter, hereinafter referred to as "decision variable", which indicates to which extent the watermark is present in the signal. For example, if an image signal is watermarked by incrementing or decrementing its pixels in accordance with a watermark pattern, the decision variable may be the amount of correlation between the signal and an applied reference copy of the watermark. If an image is watermarked by modifying selected pixels, a prediction for said pixels is calculated from temporally or spatially adjacent pixels. The decision variable may then be the number of pixels being sufficiently different from their prediction.

[0004] Watermark detectors generate a binary output signal indicating "watermark found" or "no watermark found". That is achieved by comparing the decision variable with a predetermined threshold. If the value of the decision variable exceeds the threshold, the watermark is considered to be present in the signal.

### OBJECT AND SUMMARY OF THE INVENTION

[0005] It is an object of the invention to provide a method and arrangement for detecting the presence of a multi-bit watermark value in the signal. It is also an object of the invention to provide a method and arrangement for accommodating such a multi-bit watermark value in images of a video signal.

[0006] This is achieved in by a method of detecting a multi-bit watermark in a signal, each bit of said multi-bit watermark being represented by a respective watermark subpattern, comprising the steps of: determining, for each watermark subpattern, a correlation value indicating the extent to which said subpattern is present in the signal; combining said correlation values to detect whether the watermark is present in the signal irrespec-

tive of its multi-bit value; and comparing said correlation values and the corresponding bits of an applied multi-bit value to obtain an indication of to which extent the detected watermark has said applied multi-bit value.

[0007] The invention is based on the desire to embed a multi-bit watermark in a signal. This is achieved by representing each bit of the watermark by a respective watermark subpattern. A straightforward method of detecting the watermark would include using a conventional watermark detector for each individual bit of the watermark by detecting the presence of the corresponding subpattern. However, as already mentioned above, detecting a watermark is a statistical analysis process which may result in false decisions. The reliability of each individual detection is weak because its signal strength is  $1/n$ th ( $n$  is the number of bits) of the energy in the full watermark.

[0008] The inventors have recognized that is advantageous to detect the presence of the watermark irrespective of its multi-bit value at maximum reliability, and compare the (Hamming) distance between the intermediate results (i.e. the extents to which individual subpatterns are present in the signal) and the multi-bit value which is to be checked. The reliability of the multi-bit detection is now comparable to the reliability of the detection of an entire, full strength watermark.

[0009] The invention further provides a method of embedding a multi-bit watermark in a video image by adding a watermark pattern to said image, comprising the steps of: dividing the video image and said watermark pattern into blocks, the blocks of the watermark pattern constituting subpatterns; and representing each bit of the multi-bit value by adding or not adding a subpattern to the corresponding image block.

### BRIEF DESCRIPTION OF THE DRAWINGS

#### [0010]

Fig. 1 shows a prior art system comprising a watermark embedder and a watermark detector.

Fig. 2 shows a watermark pattern to illustrate the operation of the system which is shown in Fig. 1.

Fig. 4 shows a system comprising a watermark embedder and detector in accordance with the invention.

Fig. 3 shows a watermark pattern to illustrate the operation of the system which is shown in Fig. 4.

### DESCRIPTION OF A PREFERRED EMBODIMENT

[0011] The invention will now be described with reference to a watermark detector in which the decision variable indicating to which extent the watermark is present in the signal is the amount of correlation between the signal being analysed and a reference copy of the watermark to be detected. However, the description should not be interpreted as restricting the invention to such an

embodiment.

[0012] Fig. 1 shows a prior art watermark detector comprising a watermark embedder 1 and a watermark detector 2. The watermark embedder receives an original information signal  $p$  and a watermark signal  $w$ . The information signal  $p$  is assumed to be a digitized image having 8-bit luminance pixel values  $p(i)$ . The watermark  $w$  is assumed to be a specific binary pattern of values  $w(i)=1$  or  $w(i)=-1$ . An example of such a watermark pattern is shown in Fig. 2 in which white and black dots represent the values  $w(i)=-1$  and  $w(i)=1$ , respectively. The watermark embedder comprises an adding stage 10 which adds the watermark values  $w(i)$  to the spatially corresponding pixels  $p(i)$  of the input image. It will be appreciated that this does not affect the visual appearance of the image. The embedded watermark is thus perceptually invisible.

[0013] The information signal  $q$  is applied, after transmission or storage (not shown), to the watermark detector 2. The watermark detector comprises a multiplication stage 21 and a summing circuit 22 which collectively constitute a correlation circuit. The multiplication stage receives the information signal  $q$  and a reference copy of the watermark  $w$  the presence of which in the signal  $q$  is to be detected. The pixel values  $q(i)$  of the received image and the corresponding values  $w(i)$  of the reference watermark are individually multiplied and then summed up to obtain a decision variable  $y$  which represents the amount of correlation between input signal  $q$  and watermark  $w$ . In mathematical notation:

$$y = \sum_{i=1}^l w(i) \times q(i)$$

in which  $l$  is the total number of pixels.

[0014] The correlation value  $y$  is applied to a comparator 23 for comparison with a threshold value  $y_{thr}$ . The comparator produces an output  $D=1$  (watermark found) for  $y > y_{thr}$  and an output  $D=0$  (no watermark found) for  $y < y_{thr}$ . The watermark pattern  $w$  and the threshold value  $y_{thr}$  are carefully chosen to avoid that the detector makes too often a false decision.

[0015] Fig. 4 shows a system comprising a watermark embedder and detector in accordance with the invention. The same reference numerals are used for circuit elements which correspond with elements which are already been shown in Fig. 1. In this example, the applied watermark  $w$  is assumed to be a 16-bit value. Accordingly, the input image is divided into 16 blocks ( $n=16$ ) by block-division means 11. By further block-division means 12, the watermark pattern  $w$  is divided into 16 subpatterns. A multi-bit value  $w_1..w_n$  controls whether or not a subpattern is added to the image. This is illustrated in Fig. 3 in which the blank rectangles indicate that the corresponding image blocks are not watermarked. To compensate for the reduced watermark 'en-

ergy' caused by not watermarking all image blocks, other blocks are watermarked more intensively, for example by incrementing/decrementing the respective pixels by the value 2 instead of 1 as discussed before.

[0016] The watermark detector 2 now comprises partial accumulators 22.1, 22.2 .. 22.n, one for each bit of the watermark  $w$ . Their outputs are combined in a final adding stage 24 to obtain the decision variable  $y$  which is applied to the comparator 23. The individual outputs of the partial accumulators represent individual correlation values  $y_1..y_n$ . After normalization, they have a value between 0 (no correlation) and 1 (maximum amount of correlation). A subsequent evaluation circuit 25 calculates, for each correlation value, its difference with the corresponding bit of the multi-bit value to be checked and calculates the

$$M = \sum_n \{w(n) - y(n)\}^2$$

sum of the squares of said differences. Thus, the evaluation circuit calculates: For example, if the watermark to be checked is a 4-bits value 1001, and the corresponding correlation values are  $y_1=0.8$ ,  $y_2=0.3$ ,  $y_3=0.1$  and  $y_4=0.6$ , the evaluation circuit calculates

$$M = (0.2)^2 + (0.3)^2 + (0.1)^2 + (0.4)^2$$

The result is an indication of to which extent the detected watermark resembles the given multi-bit value.

[0017] In summary, a method and an arrangement for detecting a multi-bit watermark in a signal (e.g. a video image) are disclosed. Each bit of the multi-bit value is represented by an embedded watermark subpattern in the signal. Instead of detecting in a conventional manner the presence of each individual subpattern (i.e. detecting each individual bit), the detection comprises the steps of: detecting (24,23) the presence of the full watermark in the signal irrespective of its multi-bit value, and detecting (25) to which extent the presence of subpatterns corresponds with the multi-bit value to be checked. The reliability of watermark detection is hereby improved.

#### Claims

1. A method of detecting a multi-bit watermark in a signal, each bit ( $w(n)$ ) of said multi-bit watermark being represented by a respective watermark subpattern, comprising the steps of:

determining (21,22), for each watermark subpattern, a correlation value ( $y(n)$ ) indicating the extent to which said subpattern is present in the signal;

combining (24,23) said correlation values to detect (D) whether the watermark is present in the signal irrespective of its multi-bit value; and comparing (25) said correlation values ( $y(n)$ ) and the corresponding bits ( $w(n)$ ) of an applied multi-bit value to obtain an indication (M) of to which extent the detected watermark has said applied multi-bit value.

2. A method as claimed in claim 1, wherein said step of comparing comprises calculating the sum of squares of differences between each correlation value and the corresponding bit of the applied multi-bit value.

3. A method as claimed in claim 1, wherein the signal is a video image which is watermarked by adding a watermark pattern to said image, the video image and the watermark pattern being divided into blocks, the blocks of the watermark pattern constituting said subpatterns, and wherein each bit of the multi-bit value is represented by whether or not a subpattern has been added to a corresponding image block.

4. An arrangement for detecting a multi-bit watermark in a signal, each bit ( $w(n)$ ) of said multi-bit watermark being represented by a respective watermark subpattern, comprising:

means for determining (21,22), for each watermark subpattern, a correlation value ( $y(n)$ ) indicating the extent to which said subpattern is present in the signal;

means for combining (24,23) said correlation values to detect (D) whether the watermark is present in the signal irrespective of its multi-bit value; and

means for comparing (25) said correlation values ( $y(n)$ ) and the corresponding bits ( $w(n)$ ) of an applied multi-bit value to obtain an indication (M) of to which extent the detected watermark has said applied multi-bit value.

5. A method of embedding a multi-bit watermark in a video image by adding a watermark pattern to said image, comprising the steps of:

dividing (11,12) the video image and said watermark pattern into blocks, the blocks of the watermark pattern constituting subpatterns; and representing (10) each bit ( $w_1..w_n$ ) of the multi-bit value by adding or not adding a subpattern to the corresponding image block.

6. An arrangement for embedding a multi-bit watermark in a video image (P) by adding a watermark

pattern (W) to said image, comprising:

means for dividing (11,12) the video image and said watermark pattern into blocks, the blocks of the watermark pattern constituting subpatterns; and

means for adding (10) or not adding a subpattern to a corresponding image block in accordance with a corresponding bit ( $w_1..w_n$ ) of the multi-bit value.

#### Patentansprüche

1. Verfahren zum Detektieren eines Mehrbit-Wasserzeichens in einem Signal, wobei jedes Bit ( $w(n)$ ) des genannten Mehrbit-Wasserzeichens durch ein betreffendes Wasserzeichen-Teilmuster dargestellt wird, wobei dieses Verfahren die nachfolgenden Verfahrensschritte umfasst:

- das für jedes Wasserzeichen-Teilmuster, Bestimmen (21, 22) eines Korrelationswertes ( $y(n)$ ), der das Ausmaß angibt, zu dem das genannte Teilmuster in dem Signal vorhanden ist;
- das Kombinieren (24, 23) der genannten Korrelationswerte zum Detektieren (D), ob das Wasserzeichen in dem Signal vorhanden ist, ungeachtet des Mehrbit-Wertes; und
- das Vergleichen (25) der genannten Korrelationswerte ( $y(n)$ ) mit den entsprechenden Bits ( $w(n)$ ) eines angewandten Mehrbit-Wertes zum Erhalten einer Anzeige (M) davon, zu welchem Ausmaß das detektierte Wasserzeichen den genannten angewandten Mehrbit-Wert hat.

2. Verfahren nach Anspruch 1, wobei der genannte Verfahrensschritt des Vergleichens das Berechnen der Summe der Quadrate der Differenzen zwischen jedem Korrelationswert und dem entsprechenden Bit des zugeführten Mehr-Bit-Wertes umfasst.

3. Verfahren nach Anspruch 1, wobei das Signal ein Videobild ist, das dadurch mit einem Wasserzeichen versehen ist, dass zu dem genannten Bild ein Wasserzeichenmuster zugefügt wird, wobei das Videobild und das Wasserzeichenmuster in Blöcke aufgeteilt werden, dass die Blöcke des Wasserzeichenmusters die genannten Teilmuster bilden, und wobei jedes Bit des Mehr-Bit-Wertes dadurch dargestellt wird, ob zu einem entsprechenden Bildblock ein Teilmuster hinzugefügt worden ist oder nicht.

4. Anordnung zum Detektieren eines Mehr-Bit-Wasserzeichens in einem Signal, wobei jedes Bit ( $w(n)$ ) des genannten Mehr-Bit-Wasserzeichens durch ein betreffendes Wasserzeichen-Teilmuster dargestellt

wird, wobei diese Anordnung die nachfolgenden Mittel aufweist:

- Mittel um für jedes Wasserzeichen-Teilmuster einen Korrelationswert  $(y(n))$  zu bestimmen (21, 22), der das Ausmaß angibt, zu dem das genannte Teilmuster in dem Signal vorhanden ist, 5
  - Mittel zum Kombinieren (24, 23) der genannten Korrelationswerte um zu detektieren (D), ob das Wasserzeichen in dem Signal vorhanden ist, ungeachtet des Mehr-Bit-Wertes; und 10
  - Mittel zum Vergleichen (25) der genannten Korrelationswerte  $(y(n))$  und der entsprechenden Bits  $(w(n))$  eines zugeführten Mehr-Bit-Wertes zum Erhalten einer Anzeige (N) dafür, zu welchem Ausmaß das detektierte Wasserzeichen den genannten zugeführten Mehr-Bit-Wert hat. 15
5. Verfahren zum Einbetten eines Mehr-Bit-Wasserzeichens in einem Videobild, dadurch, dass ein Wasserzeichenmuster zu dem genannten Bild hinzugefügt wird, wobei dieses Verfahren die nachfolgenden Verfahrensschritte umfasst: 20
- das Aufteilen (11, 12) des Videobildes und des genannten Wasserzeichenmusters in Blöcke, wobei die Blöcke des Wasserzeichenmusters Teilmuster bilden; und 25
  - das Darstellen (10) jedes Bits  $(w_1...w_n)$  des Mehr-Bit-Wertes dadurch, dass dem entsprechenden Bildblock ggf. ein Teilmuster zugefügt wird. 30
6. Anordnung zum Einbetten eines Mehr-Bit-Wasserzeichens in einem Videobild (P) durch Hinzufügung eines Wasserzeichenmusters (W) zu dem genannten Bild, wobei diese Anordnung die nachfolgenden Mittel umfasst: 35
- Mittel zum Aufteilen (11, 12) des Videobildes und des genannten Wasserzeichenmusters in Blöcke, wobei die Blöcke des Wasserzeichenmusters Teilmuster bilden; und 40
  - Mittel zum etwaigen Hinzufügen (10) eines Teilmusters zu einem entsprechenden Bildblock in Übereinstimmung mit einem entsprechenden Bit  $(w_1...w_n)$  des Mehr-Bit-Wertes. 45

#### Revendications

1. Procédé pour détecter un filigrane de multi-bits dans un signal, chaque bit  $(w(n))$  dudit filigrane de multi-bits étant représenté par une sous-configuration de filigrane respective, comprenant les étapes suivantes: 50

déterminer (21, 22) pour chaque sous-configuration de filigrane une valeur de corrélation  $(y(n))$  indiquant la mesure dans laquelle ladite sous-configuration est présente dans le signal; combiner (24, 23) lesdites valeurs de corrélation pour détecter (D) si le filigrane est présent dans le signal indépendamment de sa valeur de multi-bits; et comparer (25) lesdites valeurs de corrélation  $(y(n))$  et les bits correspondants  $(w(n))$  d'une valeur de multi-bits appliquée pour obtenir une indication (M) dans quelle mesure le filigrane détecté présente ladite valeur de multi-bits appliquée.

2. Procédé selon la revendication 1, suivant lequel ladite étape de comparaison comprend le calcul de la somme de carrés de différences entre chaque valeur de corrélation et le bit correspondant de la valeur de multi-bits appliquée.

3. Procédé selon la revendication 1, suivant lequel le signal est une image vidéo que l'on filigrane en ajoutant une configuration de filigrane à ladite image, l'image vidéo et la configuration de filigrane étant divisées en des blocs, les blocs de la configuration de filigrane constituant lesdites sous-configurations, et suivant lequel chaque bit de la valeur de multi-bits est représenté par le fait qu'une sous-configuration a été ajoutée ou pas à un bloc d'image correspondant.

4. Agencement pour détecter un filigrane de multi-bits dans un signal, chaque bit  $(w(n))$  dudit filigrane de multi-bits étant représenté par une sous-configuration de filigrane respective, comportant:

des moyens pour déterminer (21, 22) pour chaque sous-configuration de filigrane une valeur de corrélation  $(y(n))$  indiquant la mesure dans laquelle ladite sous-configuration est présente dans le signal;

des moyens pour combiner (24, 23) lesdites valeurs de corrélation pour détecter (D) si le filigrane est présent dans le signal indépendamment de sa valeur de multibits; et

des moyens pour comparer (25) lesdites valeurs de corrélation  $(y(n))$  et les bits correspondants  $(w(n))$  d'une valeur de multi-bits appliquée pour obtenir une indication (M) dans quelle mesure le filigrane détecté présente ladite valeur de multi-bits appliquée.

5. Procédé pour noyer un filigrane de multi-bits dans une image vidéo en ajoutant une configuration de filigrane à ladite image, comprenant les étapes suivantes:

diviser (11, 12) l'image vidéo et ladite configuration de filigrane en des blocs, les blocs de la configuration de filigrane constituant des sous-configurations; et

représenter (10) chaque bit ( $w_1..w_n$ ) de la valeur de multi-bits en ajoutant ou en ne pas ajoutant une sous-configuration au bloc d'image correspondant.

5

6. Agencement pour noyer un filigrane de multi-bits dans une image vidéo (P) en ajoutant une configuration de filigrane (W) à ladite image, comportant:

10

des moyens pour diviser (11, 12) l'image vidéo et ladite configuration de filigrane en des blocs, les blocs de la configuration de filigrane constituant des sous-configurations; et

15

des moyens pour ajouter (10) ou pour ne pas ajouter une sous-configuration à un bloc d'image correspondant selon un bit correspondant ( $w_1..w_n$ ) de la valeur de multi-bits.

20

25

30

35

40

45

50

55

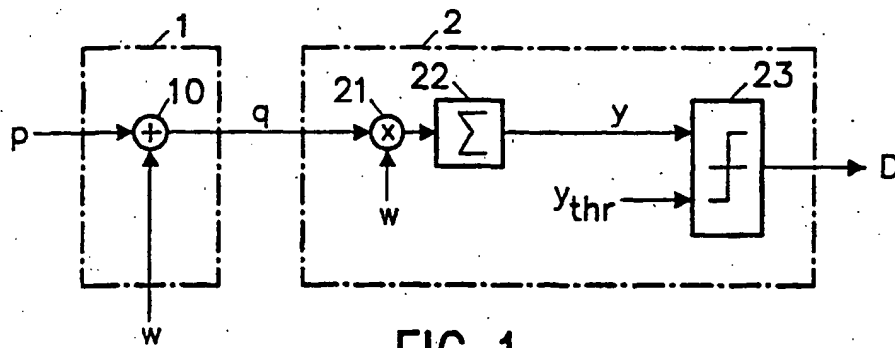


FIG. 1

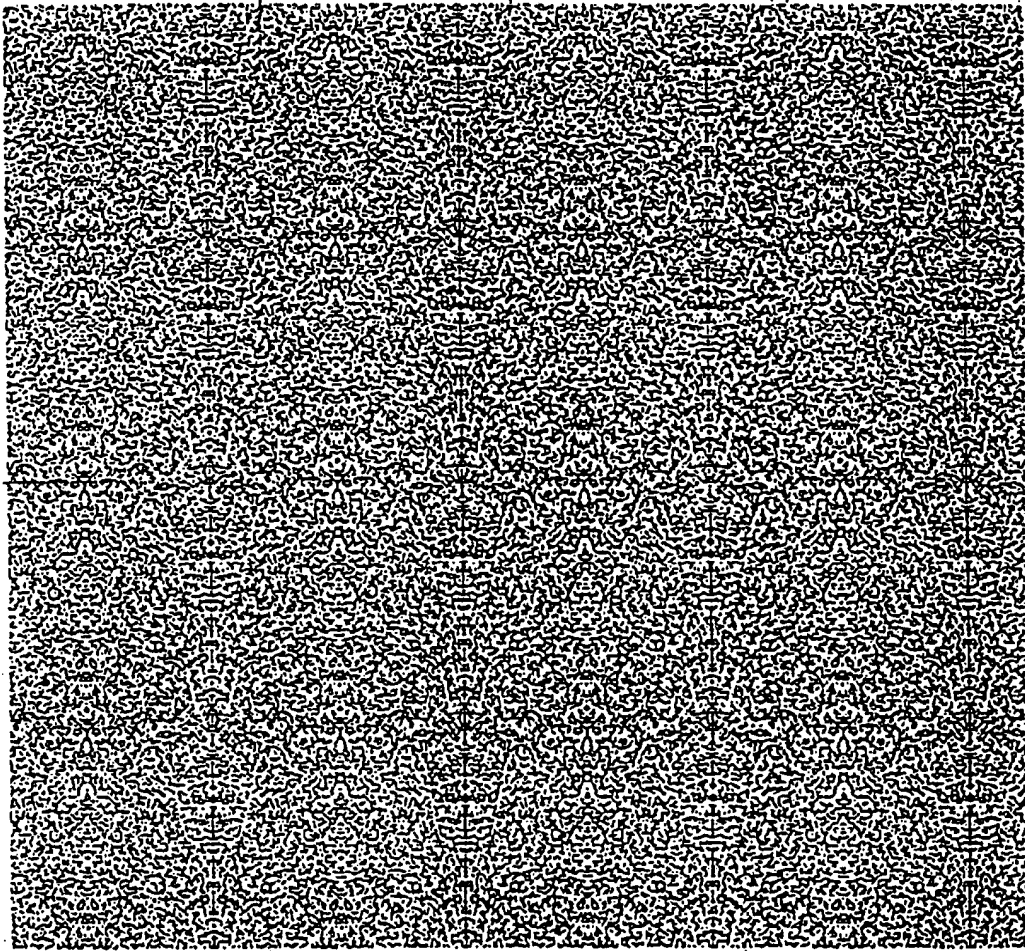


FIG. 2

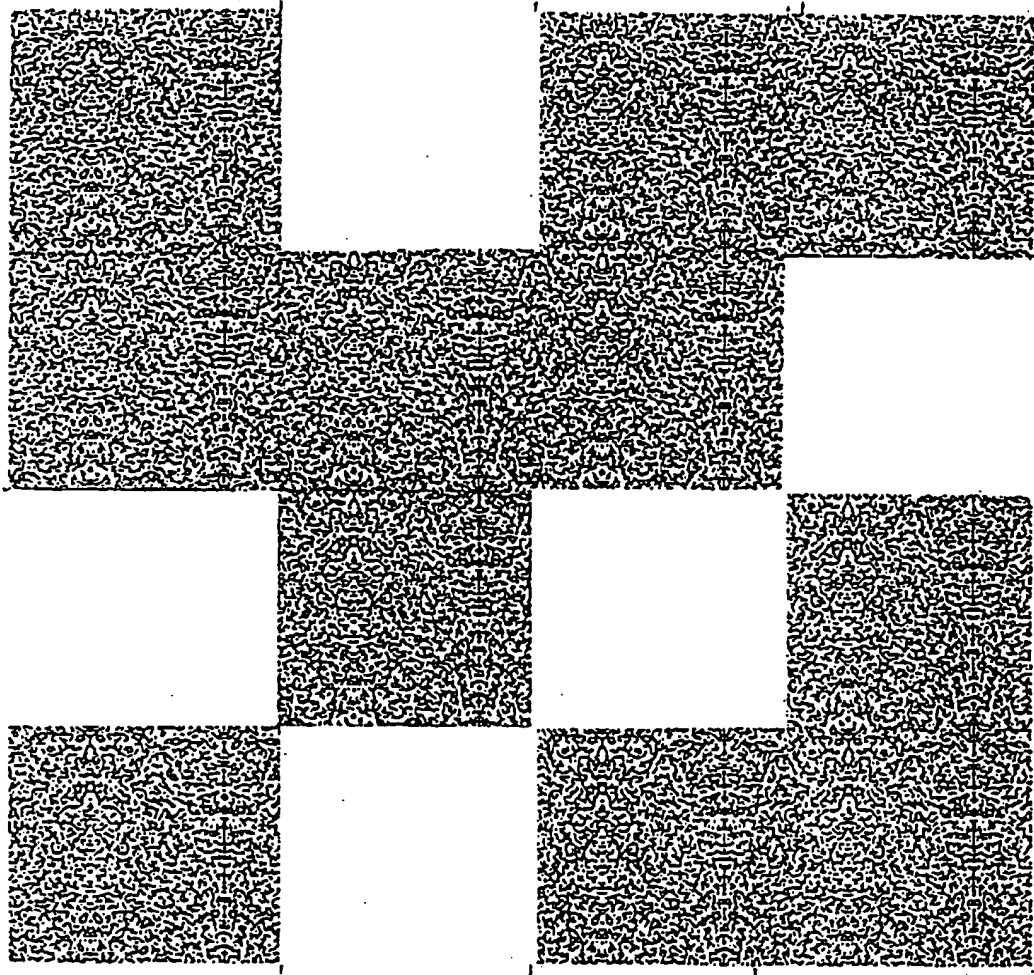


FIG. 3



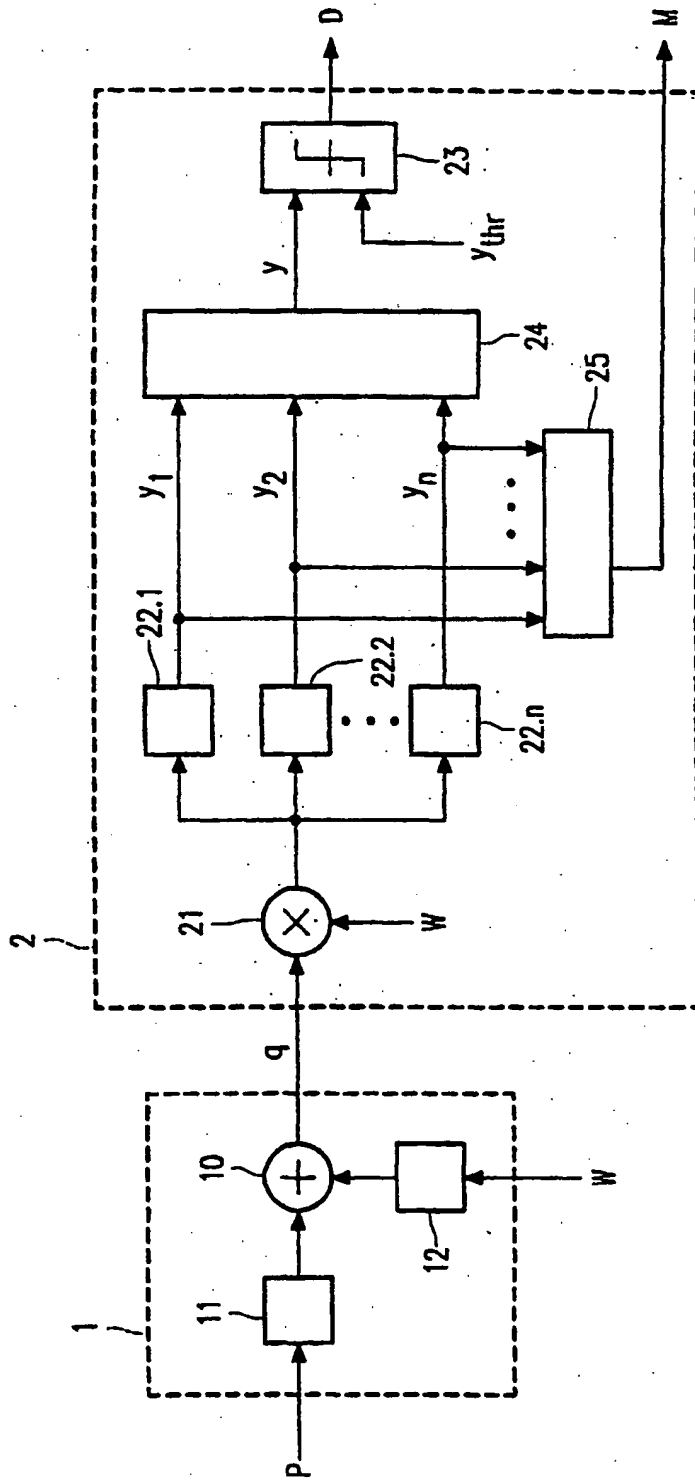


FIG. 4

**THIS PAGE BLANK (USPTO,**